

## Key Features

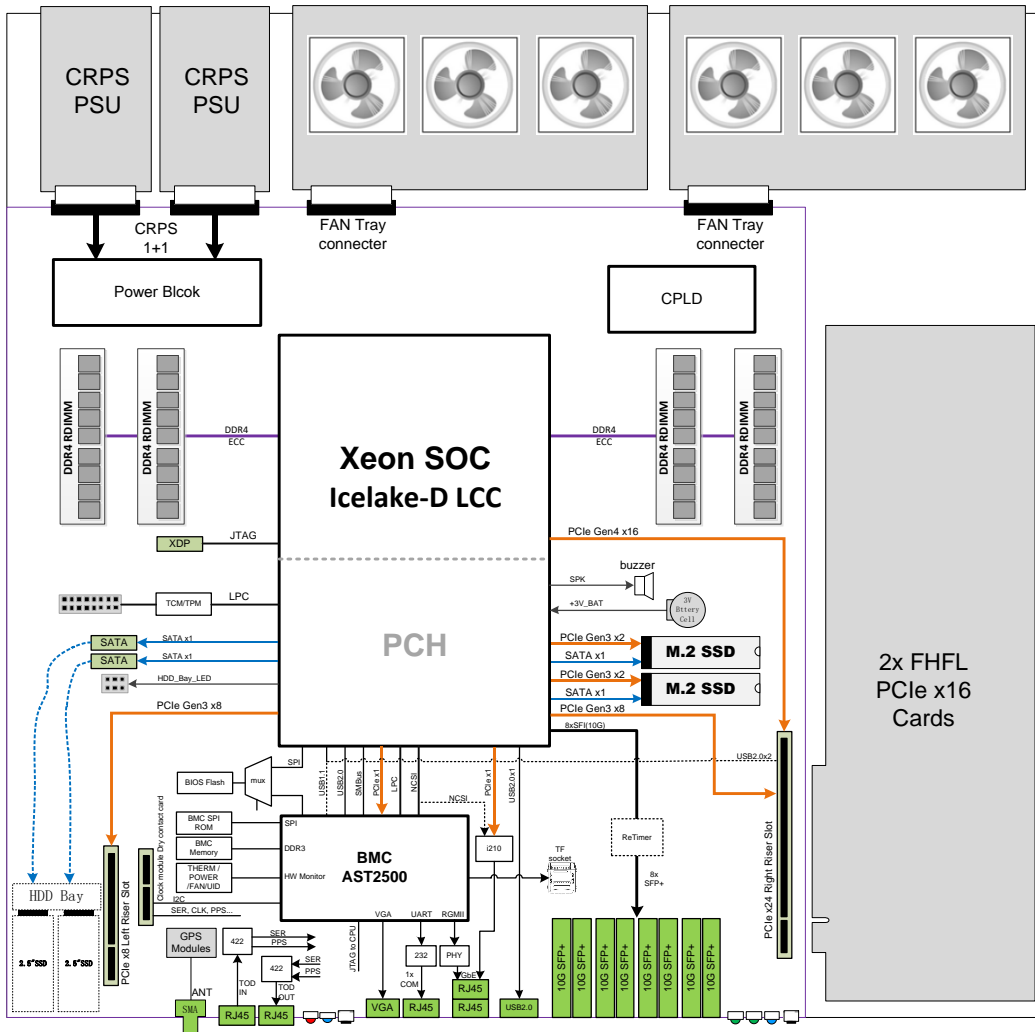
- 420mm depth 1U 19" rackmount form factor for communications infrastructure deployment
- Intel Xeon-D D1700 Series Processor, up to 90W TDP
- 4x DDR4 2933MT/s ECC registered memory up to 256GB, 3 memory channels support
- Flexible expansion
  - 1x right riser card for 1x FHFL PCIE x16 card & 1x FHFL PCIE x8 card (x16 form factor support)
  - 1x left riser card for 1x HHHL PCIE x8 card or 1x holdover module card(alternative build option with 2x 2.5" SATA HDD at front panel )
  - 1x customized timing card for syncE/holdover and dry contact (build option)
  - 2x onboard M.2 socket
  - 1x 2.5" SATA thin HDD inside support (when left riser card build on)
  - TPM 2.0 module
- Advanced chassis management
- GPS/1588 v2/syncE/cascading ( through TOD ports ) / TSN time sync modes support
- OTII 1U server technical standard compliant
- Design for MEC edge, 5G BBU application

## Specifications

Core System	SIZE	1U chassis (438mm x 420mm x 43.5mm)
	Processor	Intel Xeon-D D1700 Series Processor, up to 90W TDP
	Memory	4x DDR4 DIMM sockets per 3 memory channels , ECC, 2933MT/s, registered, up to 256GB
	BMC	AST2500, Compliant with IPMI2.0 specification, Redfish support
	OS Support	CentOS 64-bit
I/O	Display	1x VGA
	USB	1x USB2.0
	Serial Port	1x RS232 (RJ45)
	Ethernet Port	8x 10G SFP+ ports (8x 10G or 4x25G or 2x25G+4x10G configurable) 2x 1G LAN ports (one port dedicated for management)
	Timing	1x GPS (SMA) 1x TOD input (RJ45) 1x TOD output (RJ45)
	Button	1x Power button (with LED) 1x UID button (with LED)
	LED	1x Health LED 1x PSU LED

		1x FAN LED
	Dry contact port(optional)	6x inputs 2x OC type outputs
Power and Cooling	Power	550W 1+1 redundant CRPS PSU, AC220V /DC48V input support
	Cooling	2x Hot Swappable Redundant Fan Modules
Expansion	1x right riser card for 1x FHFL PCIE x16 card & 1x FHFL PCIE x8 card (x16 form factor support) 1x left riser card for 1x HHHH PCIE x8 card or 1x holdover module card(alternative build option with 2x 2.5" SATA HDD at front panel )	
Storage	2x onboard 2280 M.2 socket (SATA/NVMe support)	
	2x 2.5" SATA HDD at front panel when left riser card not build on or 1x 2.5" SATA thin HDD inside when left riser card build on	
Security	TPM2.0 module support (optional)	
Time sync	GPS/1588 v2/syncE/cascading(through TOD ports)/ TSN time sync modes support no more than +/- 1.5us time error for 24 hours holdover capability support when holdover module build on	
Operating Environment	Temperature	Operating Temperature: -5°C to 55°C Non-operating Temperature: -40°C to 85°C
	Humidity	Operating Relative Humidity: 5% to 95%
Shock Vibration	GBT 4798.3-2007 / IEC 60721-3-3 (3M2) compliant	
Chemically active substances/Corrosive gases	GBT 4798.3-2007 / IEC 60721-3-3 (3C1) compliant	
Mechanical active substances/ Level of air cleanliness	GBT 4798.3-2007 / IEC 60721-3-3 (3S2) compliant	
Safety	GB4943-2011 compliant	
EMC	EN55024, EN55032, FCC part15 Class B compliant	
Protection Level	IP20	

## Functional Diagram



## Order Information

Product Code	Description
B1208-xxxx-S0	BBU, 1U, xxxx, 8 SFP+ port, AC PSU, w/o DDR4, w/o SSD, w/o timing card, 1x PCIE x16 and 1x PCIE x8 slots, left riser support chassis
B1208-xxxx-D0	BBU, 1U, xxxx, 8 SFP+ port, DC PSU, w/o DDR4, w/o SSD, w/o timing card, 1x PCIE x16 and 1x PCIE x8 slots, left riser support chassis