



## Features

- 15.6" HD Display with PCAP Touchscreen
- Intel Elkhart Lake CPU
- Modular and Expandable Design
- Slim, Durable Housing
- Various Mounting Options

## Technical Specifications

### Primary Components

Processor Family	Intel Core I Series Elkhart Lake CPU
Processor Model	Celeron J6412
Memory Type	1x DDR4 SO-DIMM
Memory Support	4GB, 8GB, 16GB
Storage type	M.2

### Display

Screen Size	15.6"
Resolution	1920 x 1080 (Full HD)
Screen Ratio	16:9
Brightness	300 nits

### Touch Screen

Touch Screen	Projected Capacitive (Multi-touch)
--------------	------------------------------------

### Expansion Slots

### Multimedia

Speakers	1x 3W Speaker
Camera	Optional Webcam

### Thermal and Environmental

Operating Temperature	Array (32°F – 95°F)
Storage Temperature	Array (-4°F – 140°F)
Humidity Range	20% – 85% Non-condensing
Cooling Solution	Passive – Fanless

**External I/O ports**

USB	2x USB 2.0, 2x USB 3.0
Serial / Com	2x COM
Serial Protocol Detail	2x DB9 (Powered RS232) (COM1 0V*/5V, COM2 0V*/12V)
Ethernet / LAN	1x RJ45 GbE LAN
Other Ports	1x RJ11
Power Input Port	4-Pole DIN (latching)

**Power**

Input Voltage Range 19V DC

**Battery**

**Operating Systems**

Windows	Windows 11, Windows 10 IoT
Linux	Linux

**Compatibility**

Security Hardware TPM 2.0

**Enclosure**

Material	Plastic
Ip Rating	IP54 Front Bezel
Color	Black
Led Indicator Light	Power
Control Buttons	Power Button
Mounting Options	VESA 100 Mount, VESA 75 Mount

**Peripherals & Wireless Connectivity**

WiFi	802.11 a/b/g/n/ac, BT4.0+LE
Barcode Scanner	Optional 1D/2D Barcode Scanner
RFID	Optional RFID
Peripheral Other	3-Track MSR; Fingerprint Reader; Supported Verifone® VX820, P400, Ingenico iPP 325; POS Stand; Printer Stand; Floor Stand; Printer, Epson® TM-m30 / TM-T88IV, Star mc-Print3/ TSP-100/TSP-654

**Dimensions / Weight**

Weight	3.0 KG (6.6 lbs)
Dimensions	370 x 235 x 42 mm (14.6 x 9.3 x 1.7 in)

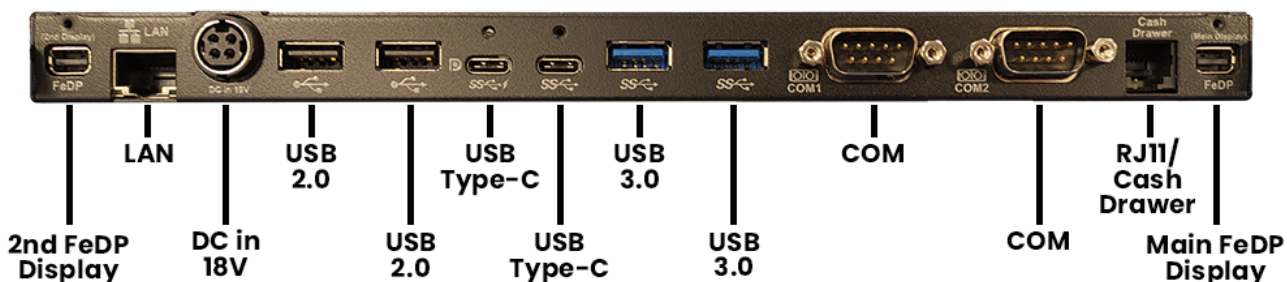
**Certification**

Certifications CE, FCC Class A, LVD

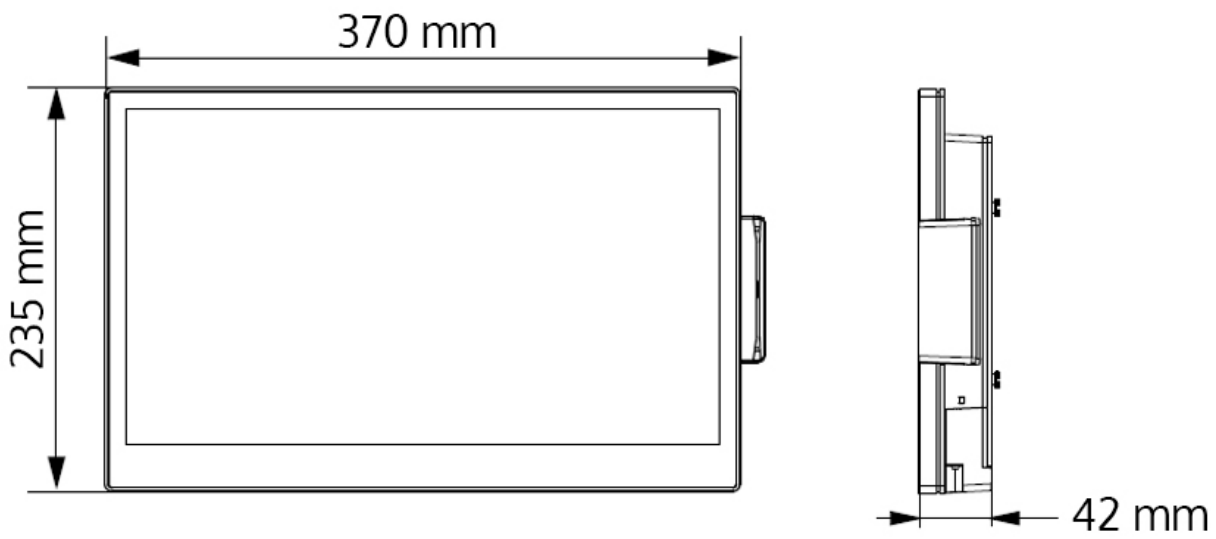
**Warranty**

Warranty Up to 5 Years

**Inputs / Outputs**



Technical Drawings



*All specifications are subject to change without notice.*