



Features

- 21.5" Touchscreen Display
- Intel 11th Generation Tiger Lake Core i3/i5 CPU
- Fanless Cooling System
- Windows 11 Compatible
- Multiple I/Os including 2x USB 2.0, 1x LAN, and 1x COM
- IP66/IP69K Waterproof Rated

Technical Specifications

Primary Components

Processor Family	Intel Core I series 11th Generation Tiger Lake
Processor Model	Standard Core i3-1115G4E, optional upgrade to i5-1145G7E
Processor Speed	Up to 4.1 GHz
Memory Type	2x DDR4 SO-DIMM
Memory Support	4GB, 8GB, 16GB, 32GB, 64GB
Storage type	1x M.2 2280 SSD slot, SATA3 or NVME
Storage support	128GB-1TB

Display

Screen Size	21.5"
Resolution	1920 x 1080 (Full HD)
Screen Ratio	16:9
Brightness	250 nits, Optional 1000 nit High Brightness
Contrast Ratio	1000:1
Viewing Angle	178° (H), 178° (V)
Number of Colors Supported	16.7M

Expansion Slots

Internal Mini PCIe	1x Mini-PCIe
Internal M.2	1x M.2 2230 Key E (for WiFi expansion option)

Multimedia

Touch Screen

Touch Screen	Projected Capacitive (Multi-touch)
Light Transmission	90±3%
Lifetime Usage	50,000 hrs

External I/O ports

USB	1x M12 8Pin for USB 1/2
Serial / Com	1x M12 8-pin for COM
Serial Protocol Detail	1x RS-232/422/485 (configured in BIOS), RS-232 default
Ethernet / LAN	1x M12 8pin RJ45 Gbe LAN
Other Ports	2x blank M12s are reserved for optional IO expansion
Power Input Port	M12 type 3-PIN DC-in

Power

Input Voltage Range	9-36V DC
Max Power consumption	36W
Standard Power Adapter	Optional IP67, AC 90-305V Input, 96W OR Non-IP65, AC 90-305V Input, 90W

Battery

Operating Systems

Windows	Windows 11 Pro, Windows 10 IoT, Windows 10 Pro
---------	--

Compatibility

Security Hardware	TPM 2.0
-------------------	---------

Thermal and Environmental

Operating Temperature	Array (32°F – 122°F (i3/i5))
Storage Temperature	Array (-22°F – 158°F)
Humidity Range	10% – 90% Non-condensing
Storage Humidity	10% – 90% Non-condensing
Cooling Solution	Passive – Fanless

Enclosure

Material	SUS304 Stainless Steel
Ip Rating	IP66, IP69K
Color	Stainless Steel
Control Buttons	Power Switch
Mounting Options	Floor Stand, Swing Arm, VESA 100 Mount

Peripherals & Wireless Connectivity

WiFi	Optional WiFi + Bluetooth, Flat Antenna, Supports WIFI 6 (AX)
BlueTooth	Bluetooth 5.2
Sim card	1x Nano SIM Card Slot
RFID	Optional RFID module on front side, project only

Dimensions / Weight

Weight	7.9 KG (17.4 lbs)
Dimensions	540.4x332.4x61.9 mm (21.3 x 13.1 x 2.4 in)

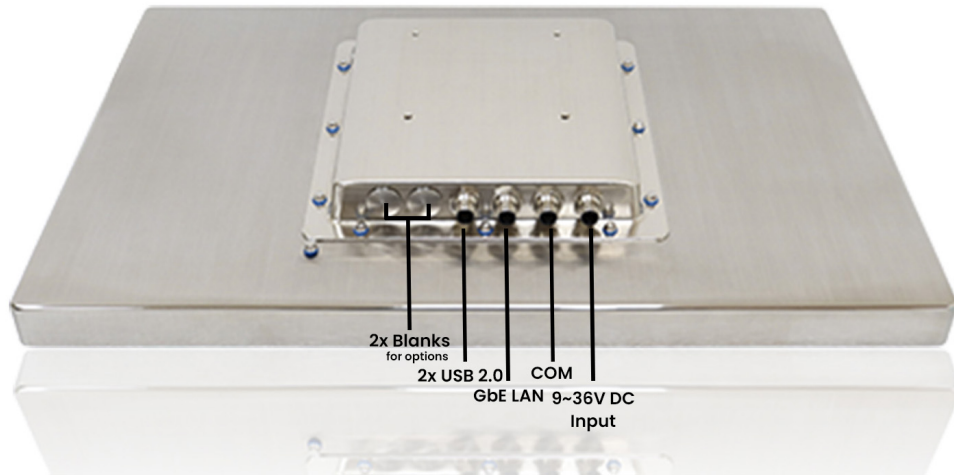
Certification

Certifications	CE, FCC
----------------	---------

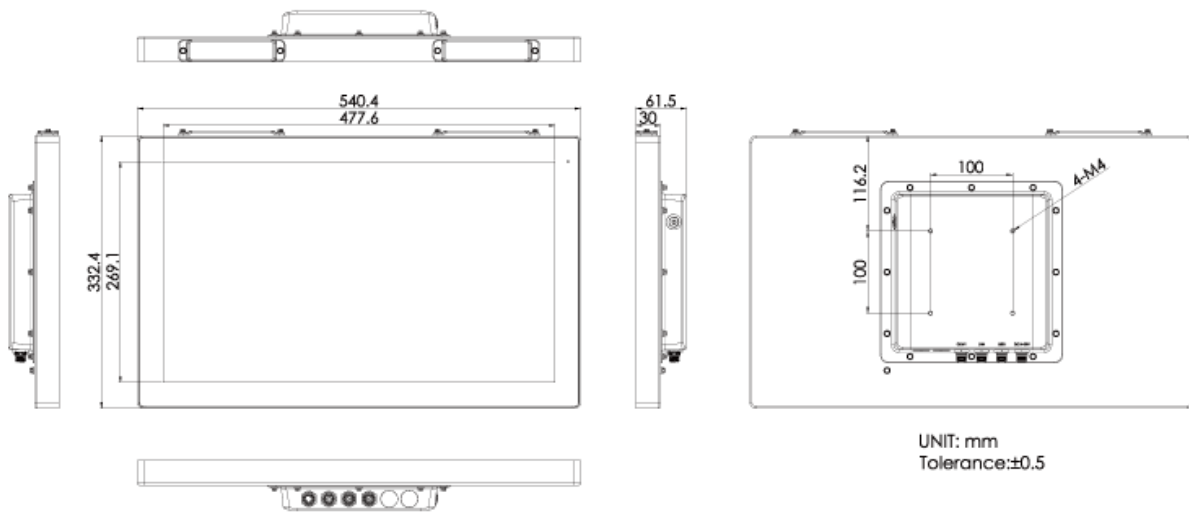
Warranty

Warranty	Up to 5 Years
----------	---------------

Inputs / Outputs



Technical Drawings



All specifications are subject to change without notice.