

# DN Series™

Built to Connect.  
Built for More.™



*DN Vynamic™*

*Touch to Get Started*





The way people bank is changing, and the ATM is a critical digital channel in a modern connected journey. DN Series delivers a more personalized experience in a more integrated solution.





# Discover More of What You Want... And More of What They Need

## More Personalized

Engaging, consistent, research-based design coupled with powerful Vynamic™ Marketing Software enables you to personally connect with consumers at the intersection of physical and digital channels.

## More Integrated

A common solutions platform supported by innovative software, smarter services and connected hardware ensures more seamless integration into your organization's channel ecosystem.

## More Available

Ensure customer satisfaction across your network with smart devices and connected services that integrate big data, machine learning and advanced analytics to inform and orchestrate the actions of our remote and field service capabilities.

## More Efficient

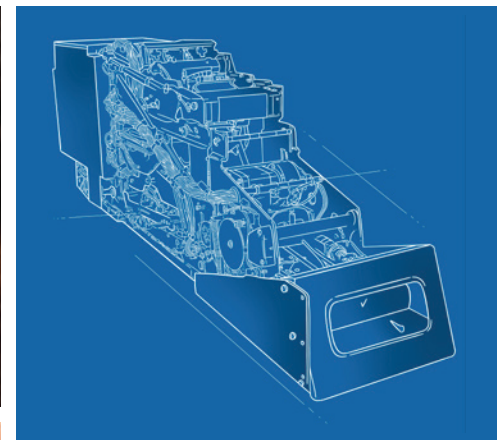
Maximize efficiencies through your self-service channel with scalable, tailored solutions to address your branch transformation strategies. Transform a DN Series system from a cash dispenser to a cash recycler with a simple software update. Now you can gain efficiencies through a recycling-based platform paired with cash cycle optimization software.

## More Future-Ready

Accommodate consumer demands and changing business needs faster than ever before with DN Series. Agile, field-upgradeable modules and user interface components enable you to evolve as fast as your consumers. Merge the physical and digital to deliver a seamless, secure touchpoint.

## More Secure

Exceed your risk-based security needs with DN Series' foundational level of security, paired with optional layers of protection against physical, data and cyber threats.





# The Most Scalable, Integrated Self-Service Solution On the Market



Software That Connects the ATM to Your Branch and Digital Channels

Modular Design That Enables Agile Upgrades

From Receipt Printer to eReceipts

From Card Reader to NFC and Biometric

From EPP to ETS

From Cash Dispenser to Cash Recycling

Fourth Generation DN Media Engines

Universal Safe Platform

Compact Footprint





# Globally Proven Fourth-Generation Media Recycling Engine

Up to

# 40%

**PERFORMANCE  
IMPROVEMENT**

from previous-generation  
recycling engines.

Simpler note transport features

**HALF THE TURNS**

of previous generations,  
preventing jams and driving  
higher uptime.

Up to

# 2X

**MORE DEPOSIT  
CAPACITY**

per cassette (4,000 vs. 2,000)

Long-edge note handling

offers **MORE RELIABLE**

**CONTROL** over the note and  
its direction than traditional  
short-edge methods.

Expanded  
throughput of up to

# 300

**NOTES**

per transaction

Foreign object detection ensures

**CONTINUOUS OPERATION**

and **MAXIMUM RELIABILITY**.

**PROPRIETARY RECOGNITION**

**TECHNOLOGY** distinguishes

between fit, unfit and  
counterfeit media.

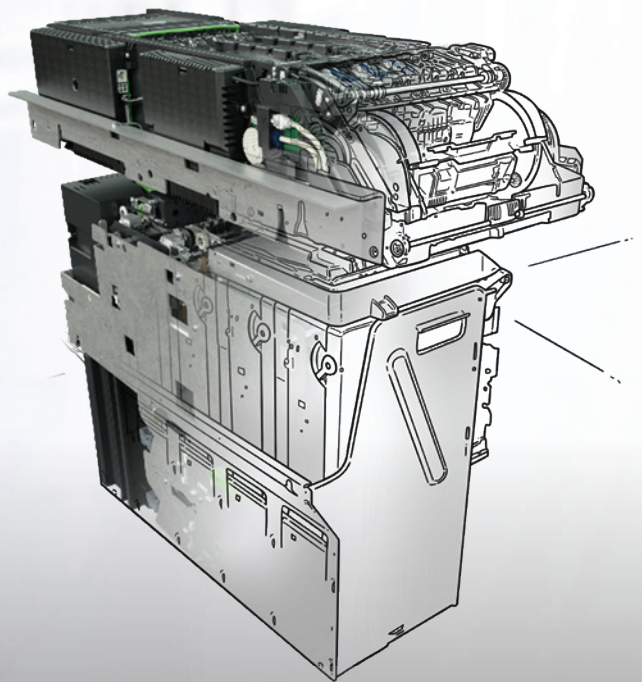
Up to

# 8

**DENOMINATION  
OPTIONS\***

**RECYCLING TECHNOLOGY** is

based on in-house intellectual  
property, built to be fully  
integrated into our solutions  
for maximum performance.



# Light Up the Night (and Day) with 250+ Color Options





# Integrate New Transaction Sets

Enable the transactions your consumers have been asking for, with our powerful DN Dynamic™ software suite. Better engage and grow wallet share: offer consistent transactions across every channel.



Enhanced Marketing Capabilities



Complete Connectivity to the Branch Environment



Two-Way Teller through Video at the ATM



Transaction Processing, Now Conducted Directly to the Core



Automate Complex Small- and Medium-Business Transactions



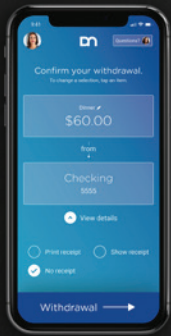
Instant Account Crediting



Cardless Access & Withdrawals



Configurable Cash Options Including Split Deposit and Multiple Denominations



# Higher Availability = Better Consumer Experience

Powered by DN AllConnect Services<sup>SM</sup>, DN Series enables seamless connectivity by leveraging IoT technology with big data, machine learning and analytics to drive improved availability and performance, benefiting you and your consumers alike.

Today's tools don't exactly fit on a tool belt:



Connected Service



Big Data



Machine Learning



Advanced Analytics



Proactive Insights



Smart Sensors

Why should it matter to you? We're using built-in, data-driven performance monitoring capabilities to deliver on our mission:

**“The right technician, the right part,  
the right ATM, at the right time.”**

You'll benefit from:



Higher Availability  
and Performance



Prolonged  
Lifecycle of Devices



Improved Customer  
Experience and  
Satisfaction



# Automate. Digitize. Transform.

Meet the family that will change the way  
you think about self-service forever.





# Lobby ATM Systems

Deploy these indoor units in the branch or at other retail locations to bridge the physical and digital ecosystem for consumers and empower them to access financial services when, where and how they'd like in a smaller footprint.



**100D**

- 15" display with multi-touch support
- NFC and barcode scanner for mobile-inspired interactions
- DN AllConnect Services enabled
- Vynamic Software Suite enabled



**200**

- 15" or 19" displays with multi-touch support
- NFC and barcode scanner for mobile-inspired interactions
- Biometrics
- Cash dispense or recycle functionality
- Check deposit or coin dispense
- Additional sidecar for more functionality
- DN AllConnect Services enabled
- Vynamic Software Suite enabled
- LED branded colors on all entry/exit guide lights and privacy wings



**400**

- 15" or 19" displays with multi-touch support
- NFC and barcode scanner for mobile-inspired interactions
- Biometrics or ID Scanner
- Cash dispense or recycle functionality
- Check deposit and coin dispense
- Additional sidecar for more functionality
- DN AllConnect Services enabled
- Vynamic Software Suite enabled
- LED branded colors on all entry/exit guide lights and privacy wings



# Through-the-Wall (TTW) ATM Systems

TTW units provide flexibility in your deployment needs—whether indoor, outdoor or in a vestibule area. DN Series TTW units integrate seamlessly into your branch environment.



## 150D

- 15" display with multi-touch support
- NFC and barcode scanner for mobile-inspired interactions
- DN AllConnect Services enabled
- Vynamic Software Suite enabled
- Fits into legacy wall openings



## 250

- 15" displays with multi-touch support
- NFC and barcode scanner for mobile-inspired interactions
- Biometrics
- Cash dispense or recycle functionality
- DN AllConnect Services enabled
- Vynamic Software Suite enabled
- LED branded colors on all entry/exit guide lights and privacy wings
- Fits into legacy wall openings



## 450

- 15" or 19" displays with multi-touch support
- NFC and barcode scanner for mobile-inspired interactions
- Biometrics and ID scanner
- Cash dispense or recycle functionality
- Check deposit and coin dispense
- DN AllConnect Services enabled
- Vynamic Software Suite enabled
- LED branded colors on all entry/exit guide lights and privacy wings
- Fits into legacy wall openings



# Outdoor Walk Up ATM

Our Outdoor Walk-Up Units can withstand the harshest weather conditions and are built to be more secure, so you can reach your consumers right where they are.



## 230

- 15" display with multi-touch support
- NFC and barcode scanner for mobile-inspired interactions
- Biometrics
- DN AllConnect Services enabled
- Vynamic Software Suite enabled
- LED branded colors on all entry/exit guide lights

# Outdoor Through-the-Wall (TTW) Drive Up or Island Multi-Function ATM

Built to withstand the harshest conditions and elements, our drive-up units will transform your drive-thru lane and free your branch staff to engage more deeply with consumers in this 24x7 channel.



**470**

- 15" or 19" displays with multi-touch support
- NFC and barcode scanner for mobile-inspired interactions
- ID scanner
- Cash dispense or recycle functionality
- Check deposit and coin dispense
- DN AllConnect Services enabled
- Vynamic Software Suite enabled
- LED branded colors on all entry/exit guide lights
- Fits into most legacy wall openings

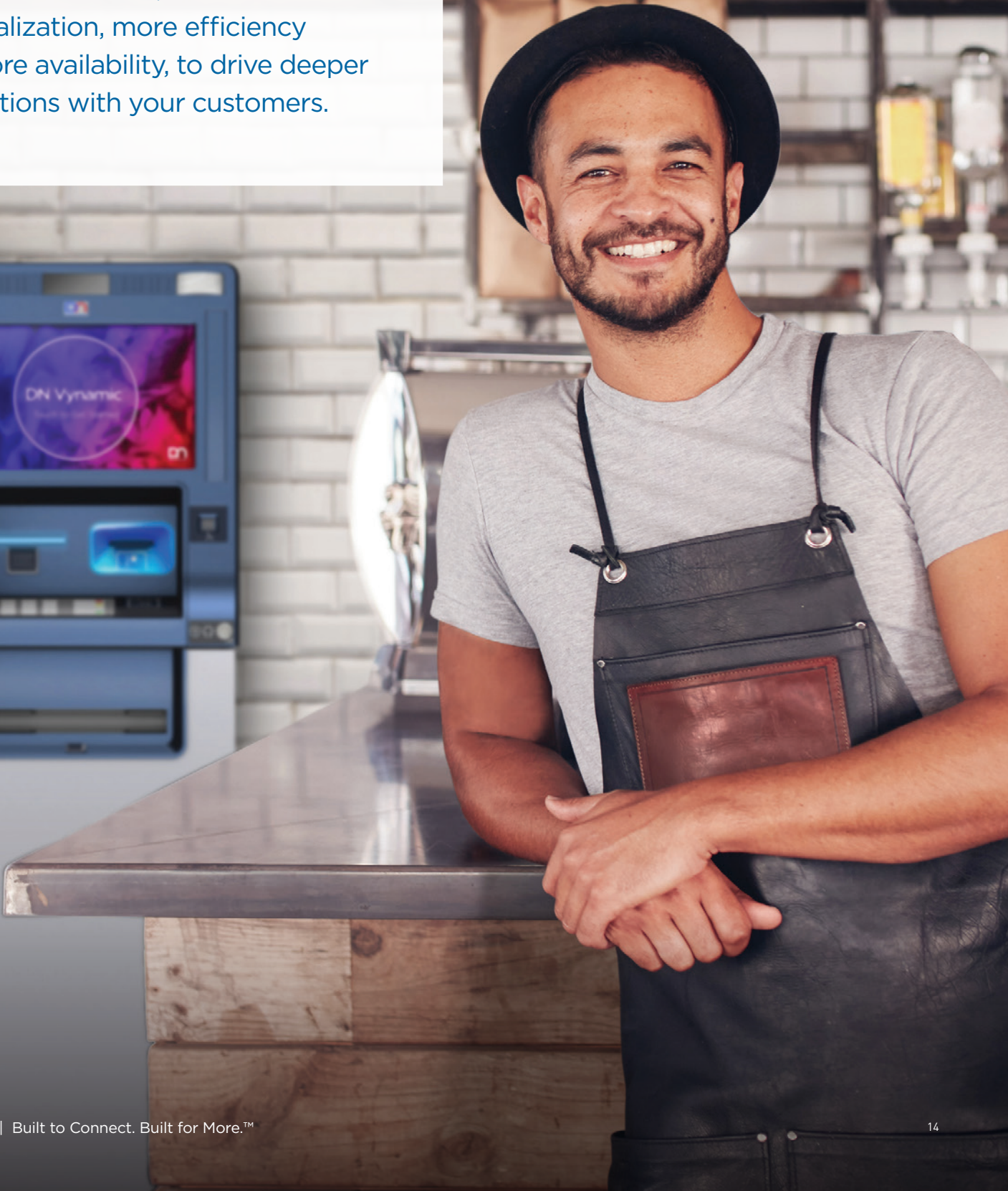


**490**

- 15" or 19" displays with multi-touch support
- NFC and barcode scanner for mobile-inspired interactions
- ID scanner
- Cash dispense or recycle functionality
- Check deposit and coin dispense
- DN AllConnect Services enabled
- LED branded colors on all entry/exit guide lights
- Vynamic Software Suite enabled



**DN Series** is the most advanced family of self-service solutions in the smallest footprint. Power connections between physical and digital channels, with more personalization, more efficiency and more availability, to drive deeper connections with your customers.





Diebold Nixdorf

